



US00D693902S

(12) **United States Design Patent**
Dodson

(10) **Patent No.:** **US D693,902 S**

(45) **Date of Patent:** **** Nov. 19, 2013**

(54) **FOUR-STEP SNOW-MAKING GUN**
(76) Inventor: **Mitchell Joe Dodson**, Park City, UT
(US)

(**) Term: **14 Years**

(21) Appl. No.: **29/430,678**

(22) Filed: **Aug. 29, 2012**

(51) **LOC (9) Cl.** **23-01**

(52) **U.S. Cl.**
USPC **D23/213; D23/220**

(58) **Field of Classification Search**
USPC D23/200, 213, 226, 225; 239/2.1, 2.2,
239/3, 14.2
See application file for complete search history.

(56) **References Cited**

U.S. PATENT DOCUMENTS

1,844,187 A	2/1932	Smith	
3,383,054 A	5/1968	Nugarus	
3,761,020 A *	9/1973	Tropeano et al.	239/2.2
3,776,471 A	12/1973	Meyer et al.	
4,141,507 A	2/1979	Rump	
4,145,000 A	3/1979	Smith et al.	
4,343,434 A	8/1982	Haruch	
4,349,156 A	9/1982	Haruch et al.	
4,383,646 A	5/1983	Smith	
4,442,047 A	4/1984	Johnson	
4,903,895 A	2/1990	Mathewson et al.	
4,993,635 A *	2/1991	Dupre	239/14.2
5,135,167 A	8/1992	Ringer	
5,520,331 A	5/1996	Wolfe	
5,692,682 A	12/1997	Soule et al.	
5,699,961 A	12/1997	Ratnik et al.	
5,823,436 A	10/1998	Waldrum	
5,909,844 A	6/1999	Nilsson	
6,119,956 A	9/2000	McKinney	
6,129,290 A	10/2000	Nikkanen	
6,161,769 A *	12/2000	Kircher et al.	239/2.2
6,402,047 B1 *	6/2002	Thomas	239/14.2

6,547,157 B2 *	4/2003	Jervas	239/14.2
6,793,148 B2	9/2004	Ratnik	
7,114,662 B1	10/2006	Nikkanen	
7,124,964 B2	10/2006	Bui	
7,546,960 B2 *	6/2009	Stofner	239/419.5
8,393,553 B2 *	3/2013	Sankrithi et al.	239/2.2
2006/0049273 A1	3/2006	Zhang	
2006/0113400 A1	6/2006	Dodson	

FOREIGN PATENT DOCUMENTS

EP	00824658 B1	2/1998
EP	00835162 B1	4/1998
WO	WO9701392 A1	1/1997
WO	WO29043092 A1	4/2009

* cited by examiner

Primary Examiner — Robin V Webster
(74) *Attorney, Agent, or Firm* — Paul C. Oestreich; Eminent IP, P.C.

(57) **CLAIM**

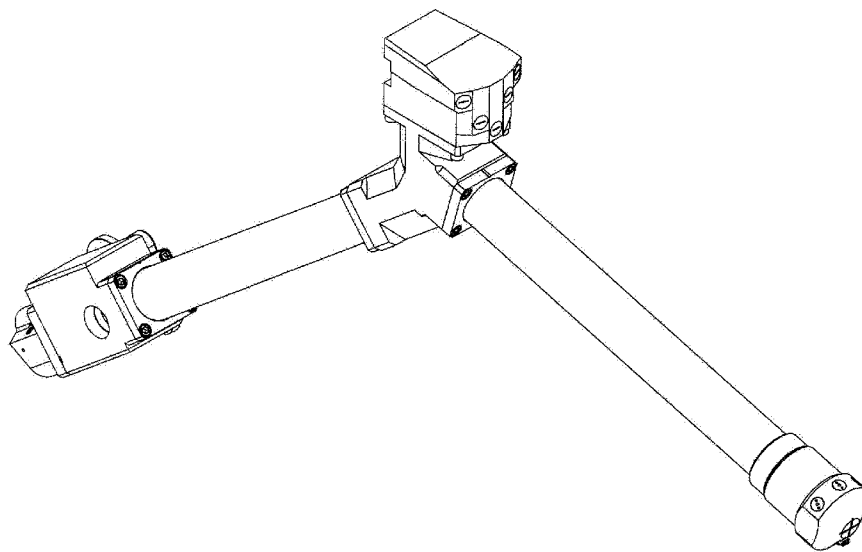
The ornamental design for a four-step snow-making gun, as shown and described.

DESCRIPTION

This design application is related to contemporaneously filed design patent application titled: Six-Step Snow-Making Gun, bearing Ser. No. 29/430,677, and contemporaneously filed design patent application titled: Single-Step Snow-Making Gun, bearing Ser. No. 29/430,679.

FIG. 1 is a left-side view of a four-step snow-making gun showing my new design;
FIG. 2 is a front view thereof;
FIG. 3 is a right-side view thereof;
FIG. 4 is a rear view thereof;
FIG. 5 is a top view thereof;
FIG. 6 is a bottom view thereof; and,
FIG. 7 is a front perspective view thereof.

1 Claim, 7 Drawing Sheets



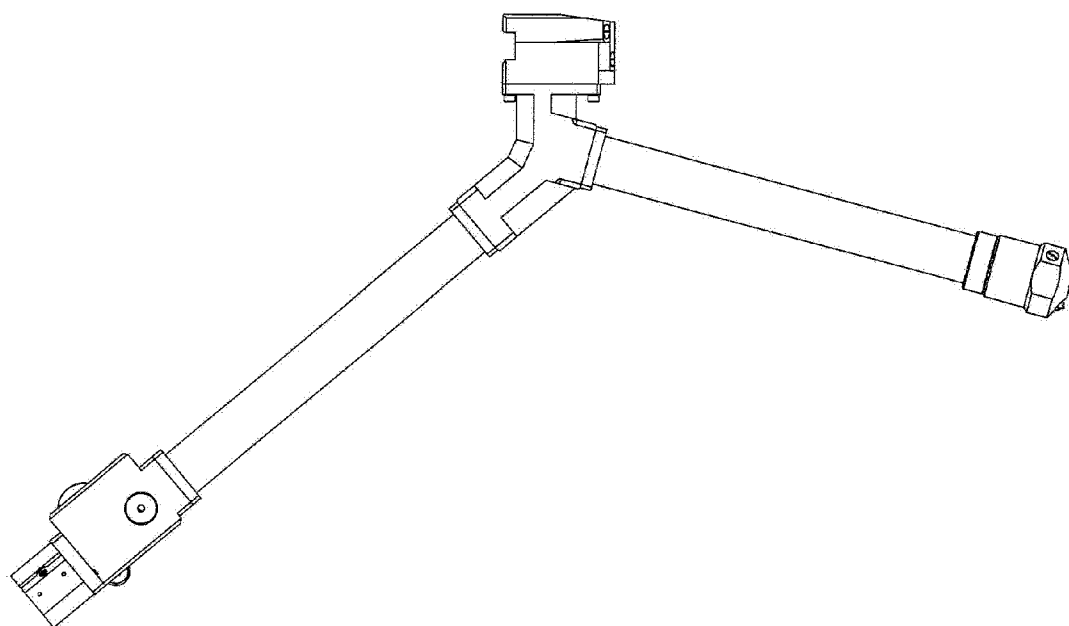


FIG. 1

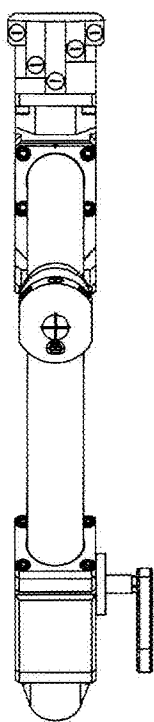


FIG.2

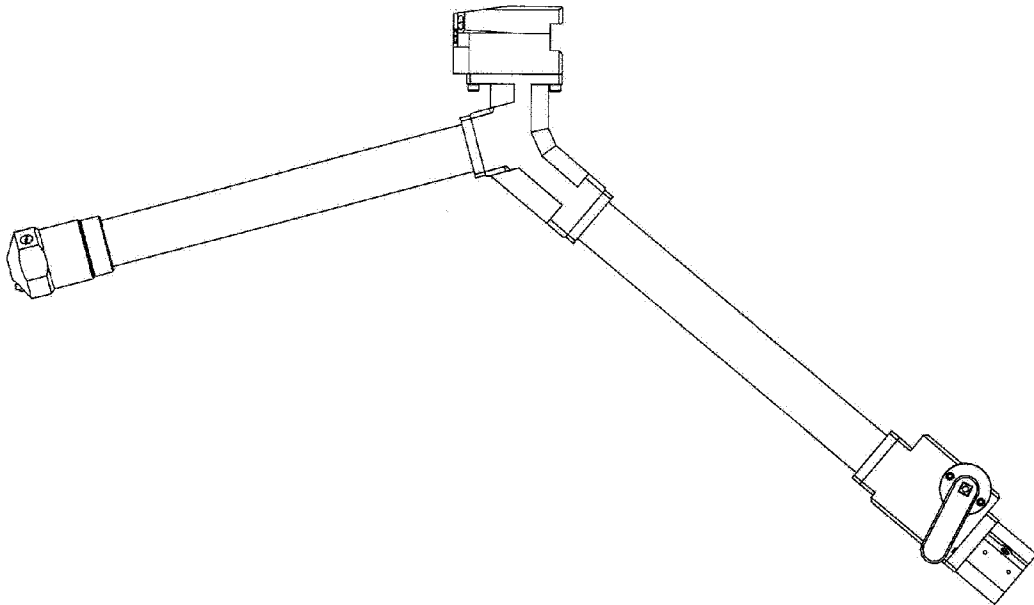


FIG.3

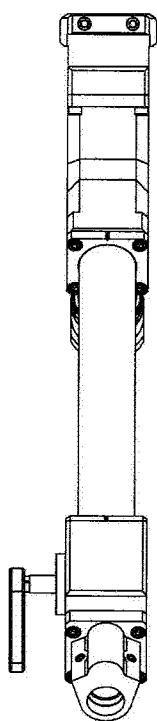


FIG.4

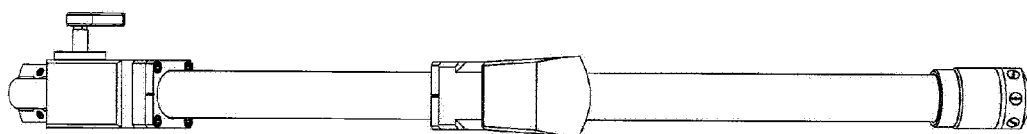


FIG.5

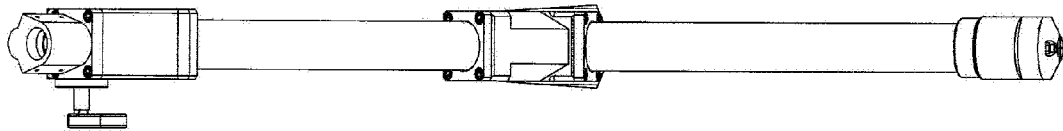


FIG.6

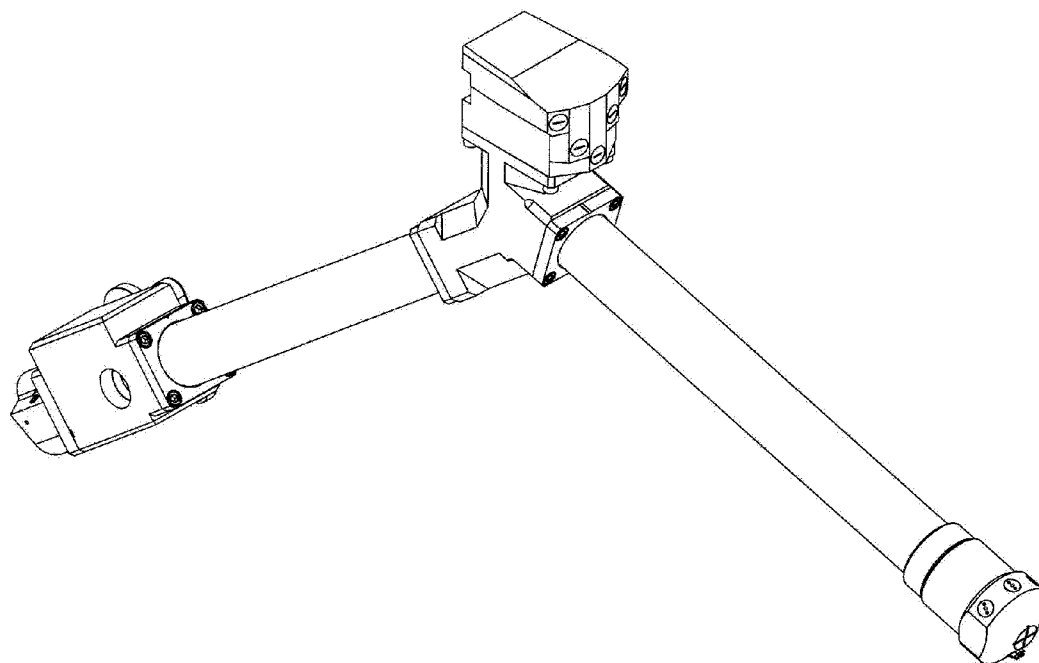


FIG.7